

BUZZER



Piezo Buzzer Series

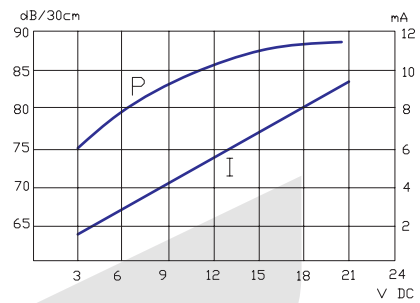
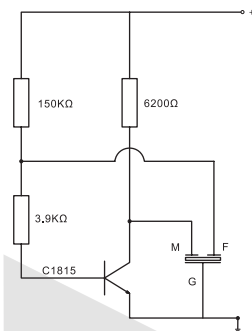
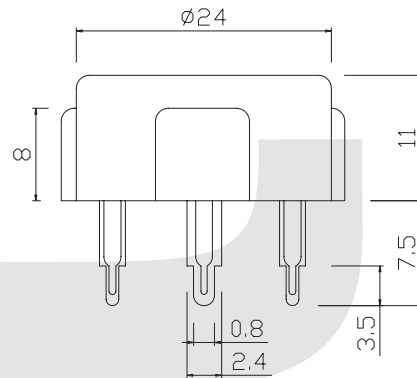
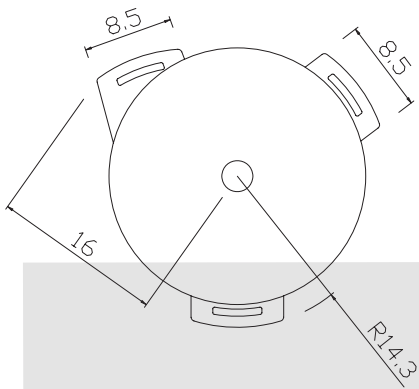
KLS3-PB-24*11 With Circuit Piezo Buzzer Series

SPECIFICATION

Rated Voltage: 10V_{DC}
 Operating Voltage: 3-18V_{DC}
 Max. Rated Current: 15mA at 10V_{DC}
 Min. S.P.L. (@60cm): 90dB at 10V_{DC}
 Resonant Frequency: 3.5 ± 0.5KHz
 Operating Temp: -20~+70°C
 Weight: 4g



Dimensions (Unit:mm)



ORDER INFORMATION

Product NO.: KLS3- PB - 24*11

Part Number _____ Order Code _____
 Piezo Buzzer Series _____